

RMHD RMHLD

Imperial Male Rod End Bearings,
Self lubricating, Heavy duty

 **Rosejoint®**
High Performance series

Rod End housing

Corrosion resistant steel
AMS 5643. Rc 36 to 42

Outer race

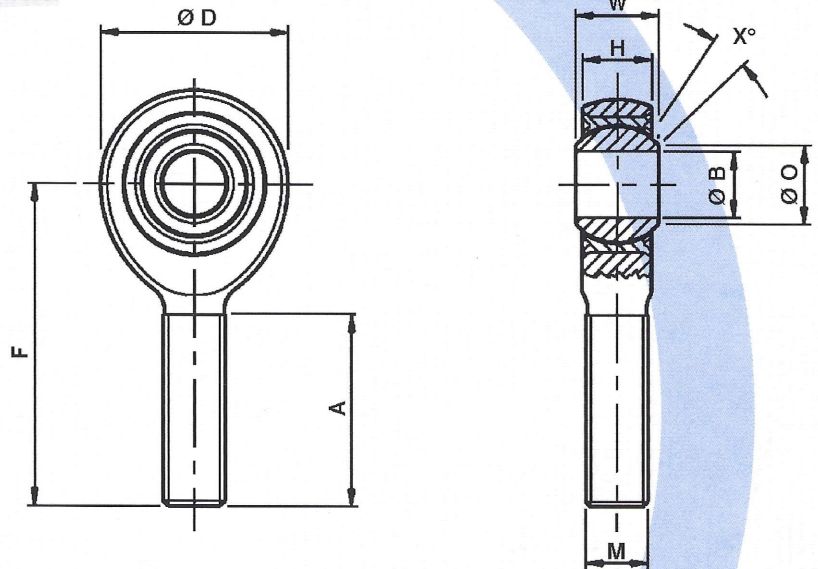
Corrosion resistant steel
AMS 5643. H1150

Ball

Corrosion resistant steel
AMS 5630. Rc 55 to 62

Liner

Rose 'D' type enriched
long life liner qualified
to Mil-B-81820



RMHD Right hand thread

RMHLD Left hand thread

For tight fit add suffix 'TF' to part no. Eg. RMHD06TF

Rose part no	B	W	H	O	D	F	A	M	X	Max static radial load	Weight
	Bore dia	Ball width	Head width	Ball face dia	Head dia	Centre length	Thread length	Thread size	Angle		
RMHD RMHLD	+0.0000 -0.0005	+0.000 -0.002	+0.005 -0.005	Min	+0.010 -0.010	+0.010 -0.010	+0.030 -0.031	UNF-3A	deg	lbf	lb
04	.2500	.375	.337	.375	.806	1.562	.968	.3125 - 24	5	7090	.072
05	.3125	.437	.327	.401	.900	1.875	1.187	.3750 - 24	14	8526	.087
06	.3750	.500	.416	.471	1.025	1.938	1.187	.4375 - 20	8	10367	.136
07	.4375	.562	.452	.542	1.150	2.125	1.281	.5000 - 20	10	13224	.183
08	.5000	.625	.515	.612	1.337	2.438	1.468	.6250 - 18	9	21706	.278
10	.6250	.750	.577	.725	1.525	2.625	1.562	.7500 - 16	12	24113	.424
12	.7500	.875	.640	.893	1.775	2.875	1.687	.8750 - 14	13	32335	.639

Dimensions in inches

No load rotational breakout torque			
Bore size	Normal fit lbf.in	Bore size	Tight fit lbf.in
04	.25 to 5.0	04	3.0 to 8.0
05 & 06	.25 to 8.0	05 to 06	3.0 to 10.0
07 to 12	.25 to 12.0	07 to 12	4.0 to 10.0

For other sizes and options please contact Rose Bearings.

Max. static loads quoted are subject to suitable shaft materials.

Please consult Rose Bearings for availability of bearings in this series.

Rose Bearings operates a policy of continual improvement, and therefore reserves the right to revise specifications without notice.

Rose Bearings Ltd - Doddington Road, Lincoln LN6 3RA UK TEL: 01522 500933 FAX: 01522 696485

Issue 2 7/96